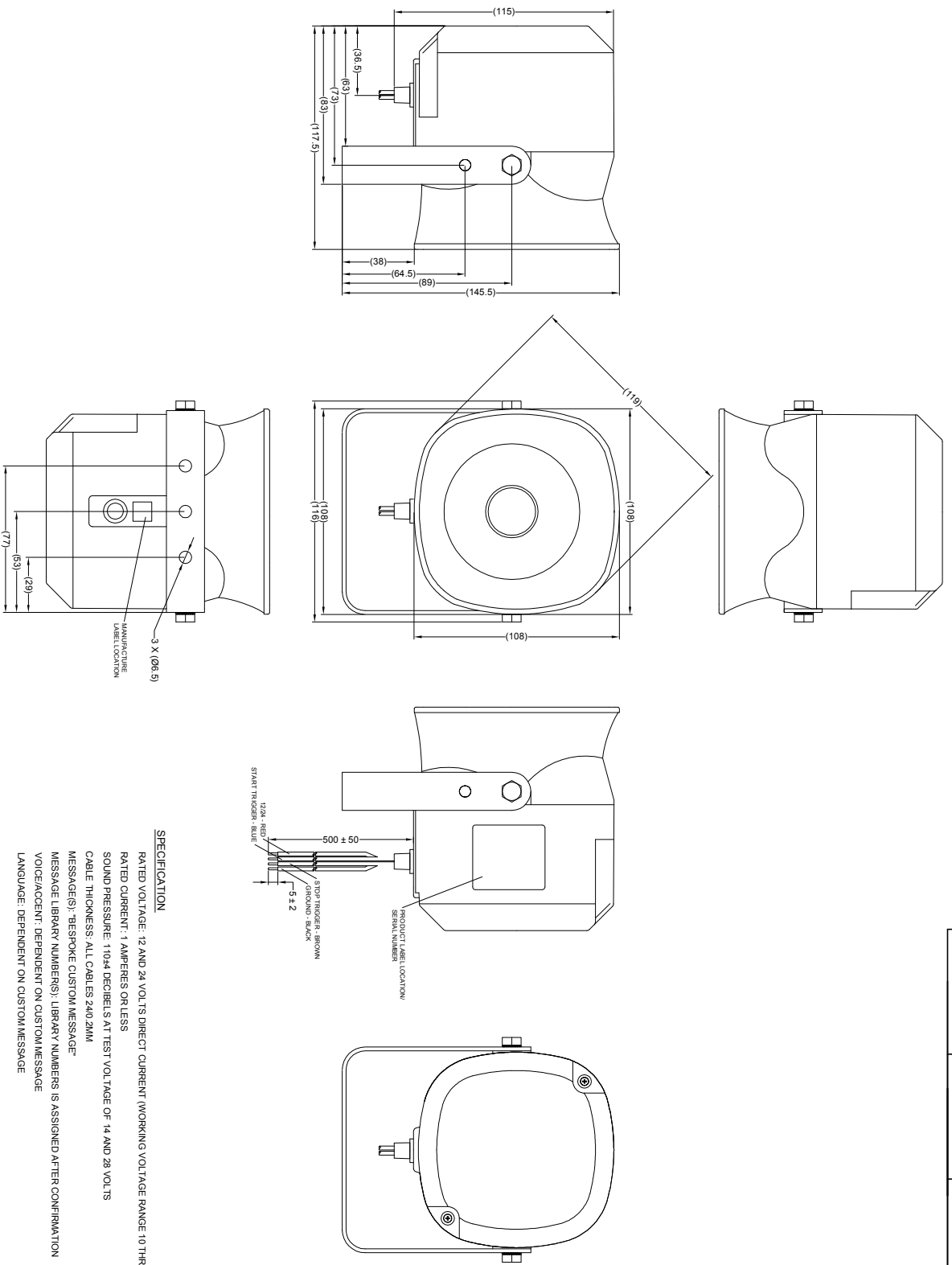


Revision Notes			
R1 - NOTES UPDATED TO INDICATE CORRECT LABEL DETAILS. STANDARDS UPDATED AS PER ECR CR-A253.			
APAR-AHEADLE	Drawn/BATES	Checked/MIBUTLER	Approved/GPLITH
			Date: 06/02/14



**SPECIFICATION**

RATED VOLTAGE: 12 AND 24 VOLTS DIRECT CURRENT (WORKING VOLTAGE RANGE 10 THRU 30 VOLTS)  
 RATED CURRENT: 1 AMPERES OR LESS  
 SOUND PRESSURE: 110±4 DECIBELS AT TEST VOLTAGE OF 14 AND 28 VOLTS  
 CABLE THICKNESS: ALL CABLES 240.2MM  
 MESSAGE(S): "BESPOKE CUSTOM MESSAGE"  
 MESSAGE LIBRARY NUMBERS): LIBRARY NUMBERS IS ASSIGNED AFTER CONFIRMATION  
 VOICE/ACCENT: DEPENDENT ON CUSTOM MESSAGE  
 LANGUAGE: DEPENDENT ON CUSTOM MESSAGE

- NOTES:
1. MATERIAL: ABS PLASTIC - ULTRA VIOLET STABILIZED
  2. FINISH: BLACK
  3. FOR PRODUCT LABEL REFER TO LATEST REVISION OF DRAWING BE-002749-XX-13.
  4. FOR GIFTBOX LABEL REFER TO LATEST REVISION OF DRAWING BE-002325-XX-13.
  5. FOR MANUFACTURE LABEL REFER TO LATEST REVISION OF DRAWING BE-001990-XX-12.

**PROPRIETARY NOTICE**

THIS DESIGN AND TECHNICAL INFORMATION APPEARING ON THIS DRAWING IS THE PROPERTY OF BRIGADE ELECTRONICS, AND IS DISCLOSED IN CONFIDENCE. IT IS NOT TO BE COPIED, REPRODUCED, REVEALED TO OR EXPLOITED BY OTHERS, EITHER IN WHOLE OR IN PART WITHOUT THE EXPRESS WRITTEN CONSENT OF BRIGADE ELECTRONICS.



Assembly PI Approval A.HEDDLE 19/03/13		Approved by B.JOHN		Checked by G.PLITH		Drawn by M.BUTLER	
Angle of Projection Third Angle		Units mm	Scale N/A	Released 30/04/13		Assembly Ref BC-AA(B)	
Status RELEASED		Part No 1465		BE-001487-01-11			